

## SAVE THESE INSTRUCTIONS

AND REFER TO THEM WHEN ADDITIONS TO OR CHANGES IN THE TRACK CONFIGURATION ARE MADE.

### FOR USE WITH PIVOT TRACK SYSTEM ONLY

The track is only to be used with other electrical fittings identified for use with the track system.  
The modules are only to be used with the Pivot track system.

## IMPORTANT SAFETY INSTRUCTIONS:

When installing or using this track system, basic safety precautions should always be followed, including the following :

Read all of these installation instructions before installing the track system.

Wire dimming conductors as Class 1.

Make sure that the power to the track is turned off.

The track system is not intended for use with a power supply cord or convenience receptacle adaptor.

Recessed track is not intended to be pendant mounted such as by a stem or cable.

Do not install in wet or damp locations.

Do not cut any track sections.

Do not install any part of a track system less than 5 feet above the floor.

Do not install any luminaire assembly closer than 6 inches from any curtain or similar combustible material.

Disconnect electrical power before adding to or changing the configuration of the track. Do not attempt to energize anything other than lighting track luminaires on the track. To reduce the risk of fire and electric shock, do not attempt to connect power tools, extension cords, appliances, and the like to the track.



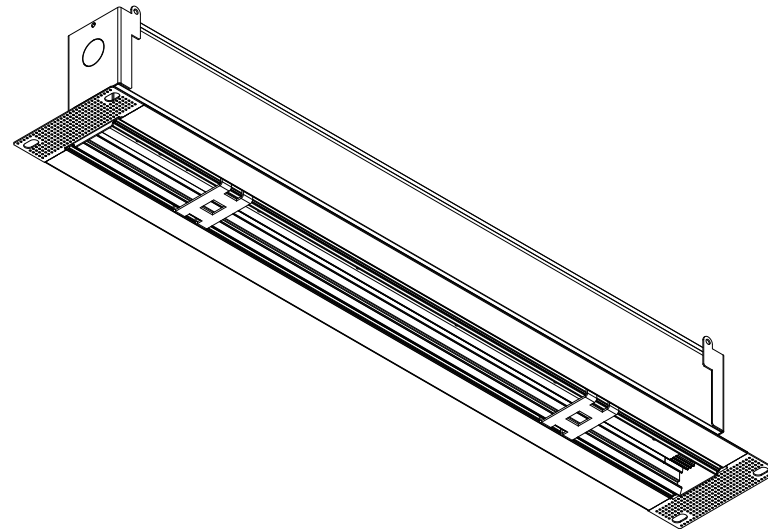
This product must be installed in accordance with the National Electrical Code and all applicable local codes, by a person familiar with the construction and operation of the product, and the hazards involved. Proper grounding is required for safety.

*Ce produit doit être installé suivant le code national de l'électricité, ainsi que tous les codes locaux applicables, par une personne familière avec la construction et le fonctionnement du produit, ainsi que tous les risques qui y sont associés. La mise à terre électrique est obligatoire pour la sécurité.*

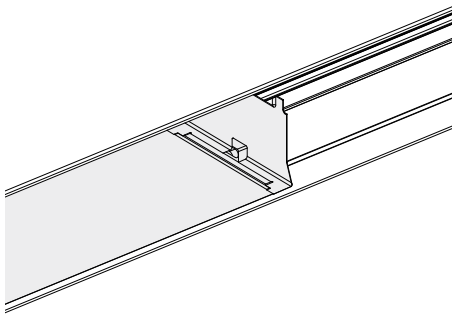
# PIVOT

Track - Recessed [PIVR]  
Drywall Mud Flange

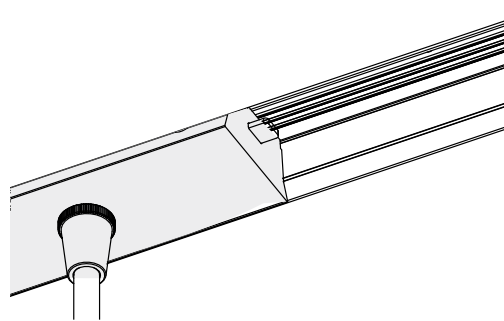
# LUMENWERX Installation Instructions



Module - Vertical V-Lock



Module - Horizontal V-Lock



## Index

IMPORTANT SAFETY INSTRUCTIONS.....	P.1
SINGLE UNIT.....	P.3
CONTINUOUS RUN.....	P.5
MODULE INSTALLATION .....	P.6

# PIVOT

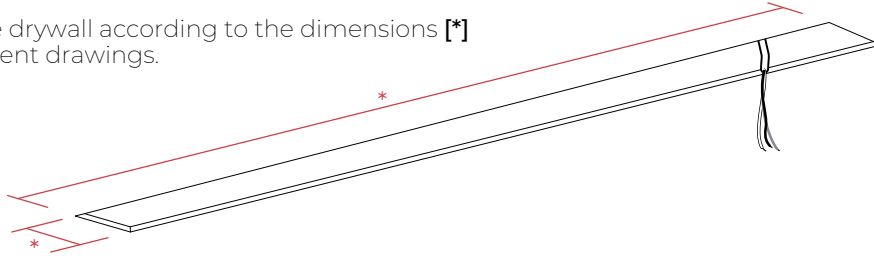
## Track - Recessed [PIVR] Drywall Mud Flange

### SINGLE UNIT

#### 1 PREPARE CEILING OPENING.

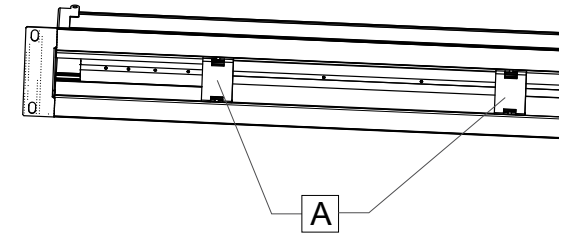
Prepare the area where the fixture is going to be installed.

Cut hole in the drywall according to the dimensions [\*] given in the client drawings.



#### 2 PREPARE FIXTURE.

The temporary brackets [A] should be aligned with the obround holes of the flanges.



#### 3 MAKE ELECTRICAL CONNECTIONS.

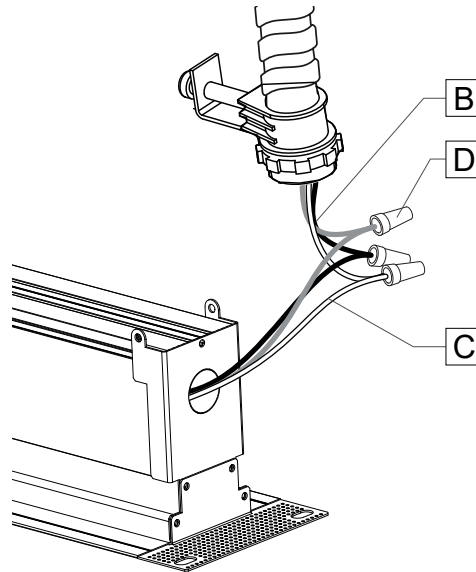
Bring the main power cable [B] (by others). Remove the power knockout from the fixture. Make electrical connections between the power cable [B] and the fixture cable [C] using wire nuts [D] (by others).

**NOTE:** Number of wires may vary.

#### **WARNING:**

1) A luminaire with more than one power supply connection means shall be connected to only one branch circuit.

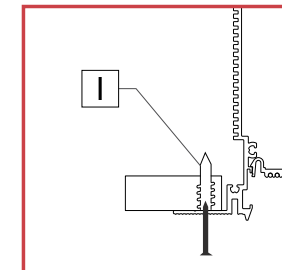
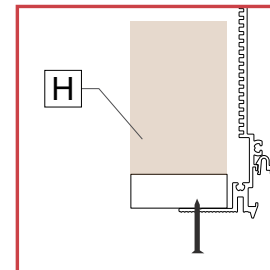
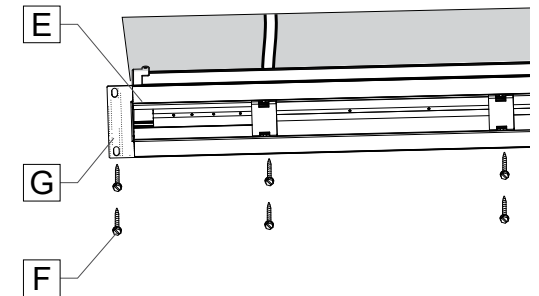
2) DO NOT make any electrical connections between the main power cable and the plastic track.



#### 4 FIX THE FIXTURE.

Insert the fixture [E] into the pre-cut hole in the drywall and fasten drywall screws [F] through the obround holes of the flanges [G].

To reinforce the drywall screws [F], wood blocking [H] or drywall anchors [I] must be used.

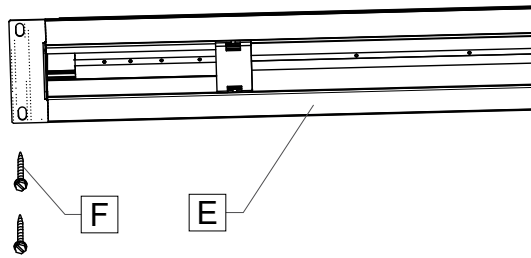


# PIVOT

## Track - Recessed [PIVR] Drywall Mud Flange

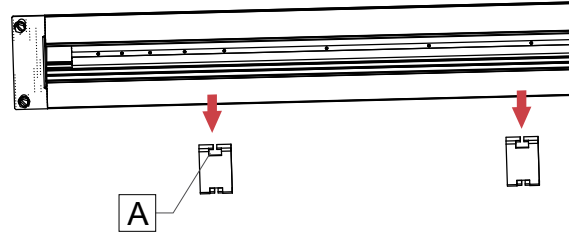
### 5 ADJUST FIXTURE IN PLACE.

If the fixture position needs adjustments, remove screws [F] on one side of the fixture [E] and adjust it. Reinstall the screws once the position is settled.



### 6 REMOVE TEMPORARY BRACKETS.

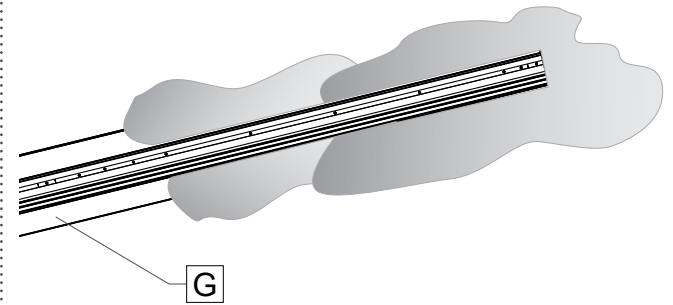
Once the fixture is attached to the ceiling, remove the temporary brackets [A].



### 7 FINISH INSTALLATION.

Plaster and sand over mud flange [G] to create a smooth finish.

**NOTE:** Clean any excess plaster with a non abrasive cleaner.



# PIVOT

## Track - Recessed [PIVR] Drywall Mud Flange

# LUMENWERX Installation Instructions

### CONTINUOUS RUN

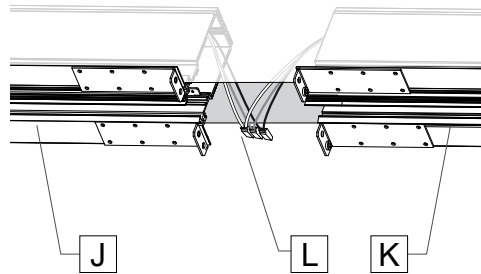
**1** INSTALL FIRST FIXTURE IN THE RUN. FOLLOW STEPS **1** TO **4** OF THE SINGLE UNIT SECTION.

**2** MAKE ELECTRICAL CONNECTIONS.

Insert the 2nd fixture [K] into the pre-cut hole in the drywall.

Make electrical connections between the first fixture [J] and the second [K] using wire connectors [L] (by others).

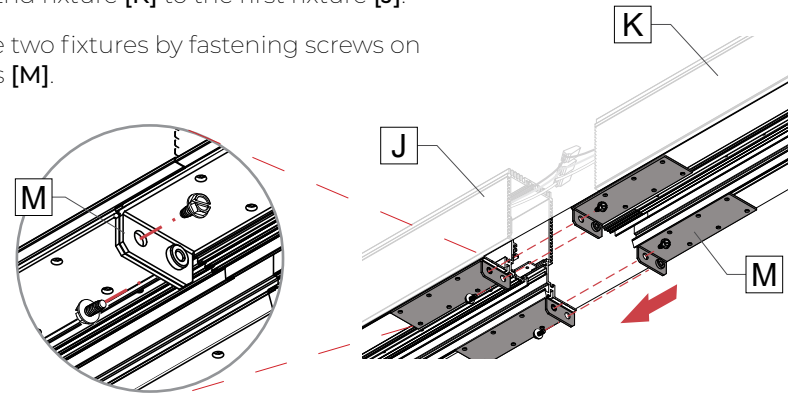
**NOTE:** Number of wires may vary.



**3** ATTACH FIXTURES.

Slide the 2nd fixture [K] to the first fixture [J].

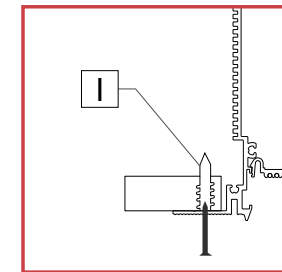
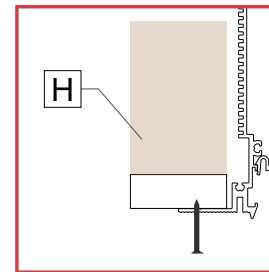
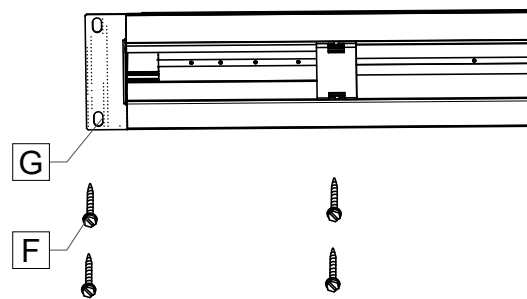
Attach the two fixtures by fastening screws on the joiners [M].



**4** INSTALL 2<sup>ND</sup> FIXTURE.

Fasten drywall screws [F] of the 2nd fixture through the obround holes of the flanges [G].

To reinforce the drywall screws [F], wood blocking [H] or drywall anchors [I] must be used.



**5** REPEAT STEPS **2** TO **4** FOR THE REST OF THE TRACKS IN THE RUN, THEN:

**6** REPEAT STEPS **6** AND **7** FROM THE SINGLE UNIT SECTION FOR THE REST OF THE TRACKS IN THE RUN.

# PIVOT

## Track - Recessed [PIVR] Drywall Mud Flange

### MODULE - VERTICAL V-LOCK

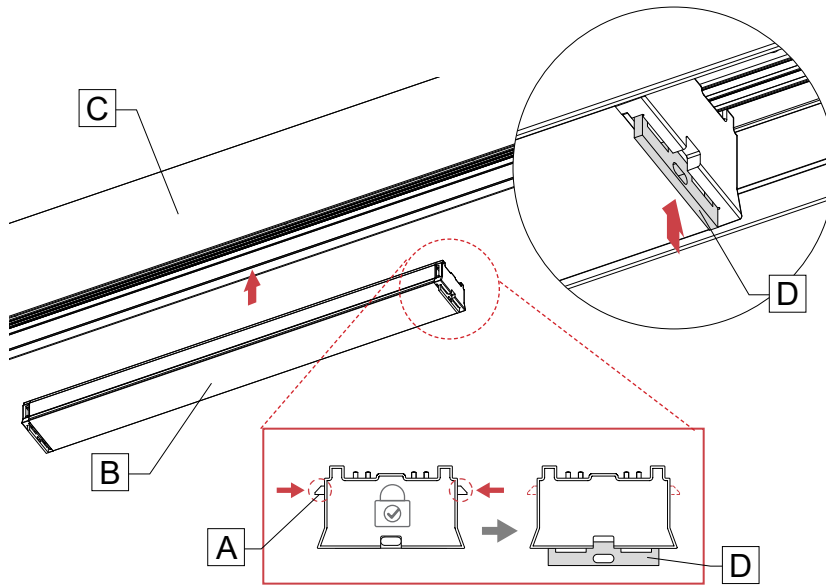
#### 1 INSTALLATION.

Push in the two tabs [A].

Insert the module [B] into the track [C].



Push in the locking mechanism [D] to secure the module [B].

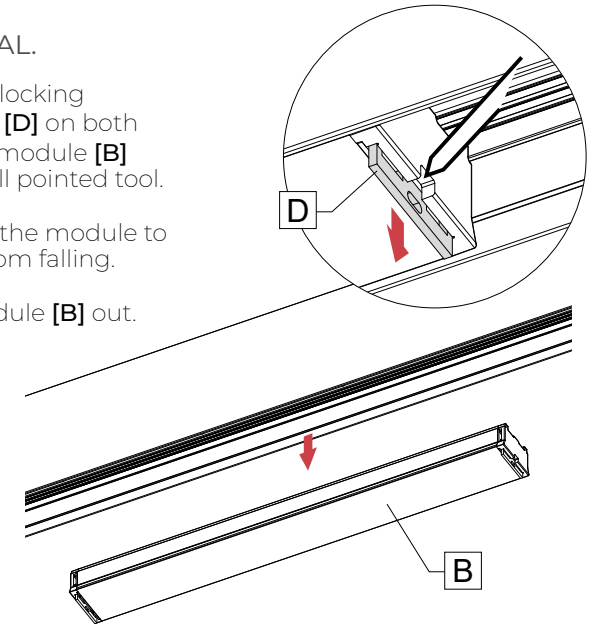


#### 2 REMOVAL.

Pull out the locking mechanism [D] on both sides of the module [B] using a small pointed tool.

**NOTE:** Hold the module to prevent it from falling.

Pull the module [B] out.



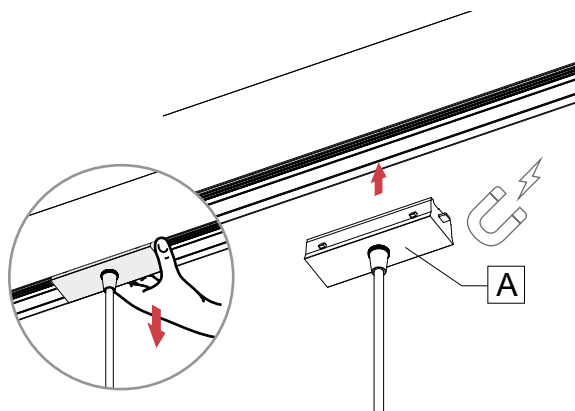
### MODULE - HORIZONTAL V-LOCK

#### 1 INSTALLATION.

Insert the module [A] into the track until it clicks.

Make sure module is properly installed by gently pulling down on the module.

**WARNING:** Improper installation may result in the module falling down.



#### 2 REMOVAL.

Push in the two tabs [B] and pull the module [A] out.

