

CANYON LED

PENDANT DIRECT/INDIRECT



Shown with a PMO optics

DESCRIPTION

Canyon is a narrow linear LED luminaire with a distinctive 1.25" aperture running the length of the housing. Using advanced LED engines and optical control, Canyon provides wide spread uplight and a gentle glow of downlight from a 10/90 direct and indirect light distribution, delivering both efficient and comfortable illumination. Canyon is offered in a choice of color temperatures, together with comprehensive electrical and controls options. Please see additional specification sheets for Canyon for wall mounting and fluorescent sources.

PROJECT: _____

TYPE: _____

NOTES: _____



SENSORS
For latest information on sensors, click [here](#).



ORDER GUIDE

up to 102 lm/W performance

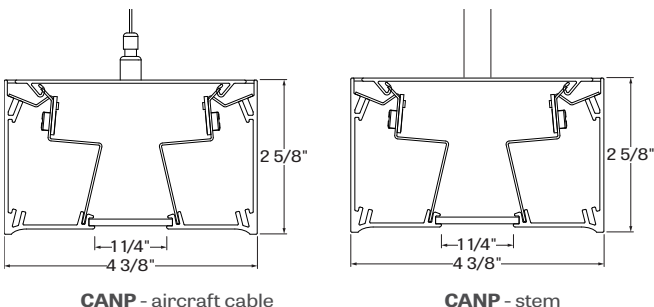
CANP		LED			
LUMINAIRE ID	OPTICS	LIGHT SOURCE	CRI	LUMEN PACKAGES	COLOR TEMP.
CANP - Canyon pendant	PMO - Precision micro-prism Optic HLO - High-efficiency Lambertian Optic	LED - High performance LED	80 - 80CRI 90 - 90CRI	750 - Min. low output 750lm/ft 875 - Medium output 875lm/ft 1000 - Max. high output 1000lm/ft #### - Other required lm/ft	27 - 2700K 30 - 3000K 35 - 3500K 40 - 4000K

10/90					
LIGHT DISTRIBUTION	LUMINAIRE LENGTH	VOLTAGE	DRIVER	ELECTRICAL	MOUNTING
10/90 - 10% down - 90% up	#FT - Nominal length in feet Standard sections - 4', and 8' Continuous Run - for luminaires over 8	120 - 120V 277 - 277V UNV - 120V-277V 347 ¹ - 347V ¹ Available with D1 driver only.	D1 - 1% 0-10V DA ² - DALI LDE1 ² - Lutron Hi-lume 1% Eco ² On-site commissioning is required.	1 - 1 circuit +EB - Emergency battery (min 4' fixture, except Lutron) +EM - Emergency light circuit +NL - Night light circuit +GTD - Generator transfer device	53WAC36 - Power 5" + non power 3" white canopy (36" aircraft cable) 55WSW18 - Power 5" + non power 5" white canopy & stem (18" stem) For all other options refer to our Pendant Mounting Guide

FINISH	CONTROL ³	OPTIONS
W - Matte white AL - Aluminum CF# - Custom finish specify RAL#	STANDALONE CONTROLS^{4,5} Specify the quantity (#) of sensors per fixture. #OMS ⁶ - Onboard Occupancy #OMS## ⁷ - Onboard Occupancy with bi-level dimming #ODS - Onboard Daylight #OCS - Onboard Occupancy & Daylight	CONNECTED CONTROLS⁸ LU - Lutron AWRN - Lutron Athena Wireless Node RF Only AWNS - Lutron Athena Wireless Node Sensor ENC - Encelium WL - Cooper Wavelinx AN - Acuity nLight CA - Casambi LG - Legrand FU120 - Fuse 120V FU277 - Fuse 277V TB# - T-bar caddy clip specify grid size TG# - Tegular caddy clip specify grid size ST - Screw Slots caddy clip CU - Custom
³ Standalone and connected control options cannot be combined. ⁴ Available with D1 driver and 1 circuit options only. ⁵ Minimum 4' per zone. Provide control zone length.		⁶ Fixture turns off when no occupancy. ⁷ Fixture dims to specified light level % (##). ⁸ Consult factory for connected controls.

See page 2 for ordering code detailed information

CROSS SECTION



CANP - aircraft cable

CANP - stem



OPTICS

PRECISION MICRO-PRISM OPTIC (PMO) - Angled LED array with matte aluminum reflectors and precision Micro-Prism Optic (PMO) shielding of 0.1" thick acrylic. Precisely formed pyramidal prisms with a 0.04" square base provide outstanding control of high-angle brightness. Canyon's widespread optic provides a batwing uplight distribution with peak intensity at 120° and a peak:zenith ratio of 2:1, permitting luminaire spacing ratio of 8:1 with even ceiling and task plane illuminance. The PMO optic provides 45° optical cut off for the downlight.

HIGH-EFFICIENCY LAMBERTIAN OPTIC (HLO) - Angled LED array with matte aluminum reflectors and High-Efficiency Lambertian Optic (HLO) shielding of diffusing 0.075" thick acrylic. HLO delivers up to 88% transmission and good source obscuration. Canyon's widespread optic provides a batwing uplight distribution with peak intensity at 120° and a peak:zenith of 2.5:1, permitting luminaire spacing ratio of 8:1 with even ceiling and task plane illuminance. Luminaire brightness is controlled by the flux-to-shielding area ratio.

LIGHT SOURCE - LED

Custom linear array of mid-flux LEDs are mounted directly to the housing for optimal thermal performance. Available in 2700K, 3000K, 3500K and 4000K with a minimum 80 CRI and an option for 90 CRI with elevated R9 value. Color consistency maintained to within 3 SDCM. LEDs operated at reduced drive current to optimize efficacy and lumen maintenance.

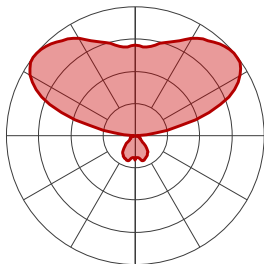
All LEDs have been tested in accordance with IESNA LM-80-08 and the results have shown L80 lumen maintenance greater than 60,000 hours. Absolute product photometry is measured and presented in accordance with IESNA LM-79, unless otherwise indicated.

PERFORMANCE PER 4' AT 4000K

10/90 - 10% down - 90% up

LED output	Color Temp	Watts	Nominal Delivered Lumens	Efficacy LPW
low output	4000K	29	3000	102
medium output	4000K	34.5	3500	101
high output	4000K	40	4000	100

LIGHT DISTRIBUTION



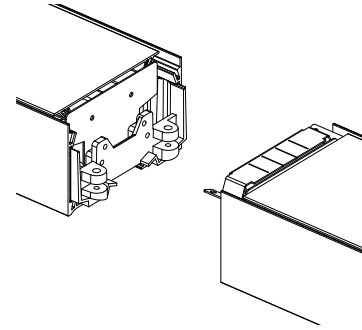
10/90 - 10% down - 90% up

LUMINAIRE LENGTH

Canyon is made up of standard 4 and 8 foot sections that may be joined together to create continuous run lengths. Nominal run length required must be noted in

the product code. The minimum individual section available is 2 feet.

All individual sections are joined together onsite using the joiner kits provided. Lumenwerx offers joiner kits that are extremely simple to work with in the field and result in a fixture that appears virtually seamless with no light leak at any connection.



joining system for Canyon

ELECTRICAL

Factory-set, adjustable output current LED driver with universal (120-277VAC) input. Dimmable from 100% to 1% with 0-10V dimming control. Rated life (90% survivorship) of 50,000 hours at 50°C max. ambient (and 70°C max. case) temperature. At maximum driver load: Efficiency>84%, PF>0.9, THD<20%. Other specifiable options include Lutron Hi-Lume 1% Eco and DALI protocol drivers. All of our standard 0-10V drivers are NEMA 410 compliant.

EMERGENCY

Factory installed long life high temperature recyclable Ni-Cad battery pack with test switch and charge indicator, minimum of 90 minutes operation, up to 1000 lumens per 4ft (25°C) emergency lighting output. Recharge time of 24 hours.

MOUNTING OPTIONS

Fixtures can be pendant-mounted, using aircraft cables, or stem-mounted.

Unless otherwise specified, Lumenwerx provides the following hardware:

For cable-mounted fixtures - 53WAC36 (5" white canopy for all power mounting point, 3" white canopy for non power mounting point, and a 36" cable)

For stem-mounted fixtures - 55WSW18 (5" white canopy for all power mounting point, and non power mounting point, and a 18" white stem)

Caddy clips, if required specify under **OPTIONS**

[For all other options, see our website for a detailed Pendant Mounting Guide](#)

FINISH

Interior - 95%, reflective matte powder coated white paint

Exterior - matte white or aluminum powder coating.

Custom finishes are also available.

CONTROLS

Lumenwerx offers several options for integrating occupancy and daylight harvesting controls in our luminaires.

For latest information on sensors, click [here](#).



Standalone controls

An integrated standalone sensor controls the luminaire in which it is installed.

Depending on the length, more than one sensor may be necessary and may control the entire luminaire, or just a section of it. These controls operate independently.

Unless otherwise agreed, sensor location, blank size, and functionality of the sensor within the luminaire are selected by Lumenwerx. See client drawings for details.

Three types are available:

OMS: An integral Passive InfraRed (PIR) sensor turns luminaires on and off automatically with field-adjustable time out period. No wall control is used.

Coverage pattern for large motion has a 12' diameter with the sensor mounted 8' above the floor; for small motion, the pattern has an 8' diameter. Typically, one sensor is required for every 10' of a continuous luminaire run.

ODS: An integral, daylight harvesting sensor with closed-loop operation dims the luminaire in which it is installed in order to compensate for available daylight. The sensor measures the combination of daylight and luminaire light reflected from horizontal surfaces below the luminaire. Initial onsite calibration is required via the use of provided remote control.

OCS: Both an occupancy and a daylight sensor are installed in the luminaire.

Connected controls

With connected controls, sensors or nodes installed in the luminaire form part of a larger control system infrastructure from manufacturers such as: Lutron, Encelium, Cooper Wavelinx, Acuity nLight, Casambi, Legrand, and others. These connected controls allow for a scalable system providing features like occupancy

and daylight control, manual control, scheduling and configuration of various zones and scenes. Energy reporting and system monitoring are also possible. Specific capabilities depend on the control system being used.

Lumenwerx installs the components (sensors, nodes, power packs, etc) which may be supplied to us by a third party, or procured directly by Lumenwerx, depending on the control system manufacturer.

Lumenwerx is solely responsible for the installation of specified components; the controls manufacturer is responsible for performance of the control system.

To indicate a Lumenwerx luminaire with connected controls, identify the specific onsite control system to be integrated into the luminaires using the ordering code. Due to the diversity of components, you must contact factory to assure complete compatibility with intended control system and to fully specify the luminaire.

Complete control specifications, sensor/node/power pack layout, and narrative for the control system are required for Lumenwerx to create shop drawings and submittals.

CONSTRUCTION

Housing - Extruded aluminum 0.075" nominal, matte white or aluminum powder coating. Custom finishes are also available.

End cap - Die cast aluminum (0.95" nominal)

Joiners - Male/female system made in die cast aluminum (0.95" nominal)

Interior brackets - Die formed cold rolled sheet steel 20 gauge thick

Reflectors - Flat rolled aluminum sheet 0.040" thick precisely die formed, 95% reflective matte white painted

Hanger - Chromed griplock securely attached with spring steel hardware in end caps and/or joiners

Aircraft cable suspension - 7x7 braids aluminum aircraft cable 0.06" thick

Stem - 0.5" diameter threaded steel tube matte white or aluminum powder coating. Custom finishes are also available.

WEIGHT

Canyon 4ft - 9.91lbs - 4.5kg

Canyon 8ft - 19.16lbs - 8.7kg

Canyon 12ft - 28.41lbs - 12.9kg

CERTIFICATION

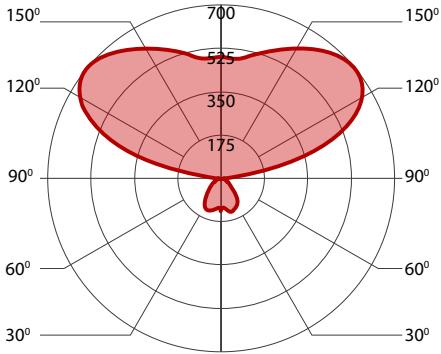
ETL - Rated for Indoor Dry/Damp locations. Conforms to UL Standard 1598 and certified to CAN/CSA Standard C22.2 No. 250.0.

WARRANTY

Lumenwerx provides a five-year limited warranty of electrical and mechanical performance of the luminaires, including the LED boards, drivers, and auxiliary electronics. Lumenwerx will repair or replace defective luminaires or components at our discretion, provided they have been installed and operated in accordance with our specifications. Other limitations apply, please refer to the full warranty on our website.

PERFORMANCE AT 10/90 - 10% down - 90% up

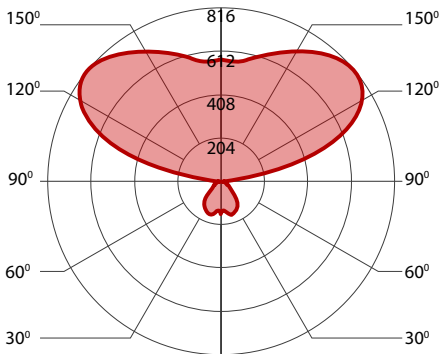
750 LUMEN AT 80CRI - LOW OUTPUT



PERFORMANCE PER 4'

LED output	Color Temp	Watts	Nominal Delivered Lumens	Efficacy LPW
low output	2700K	31	3000	97
low output	3000K	31	3000	96
low output	3500K	30	3000	99
low output	4000K	29	3000	102

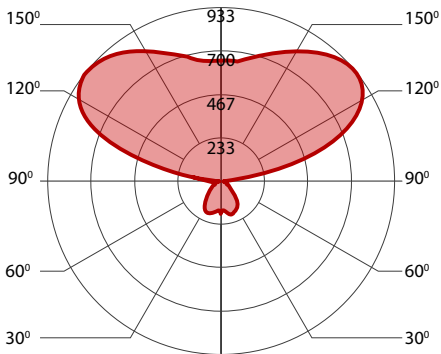
875 LUMEN AT 80CRI - MEDIUM OUTPUT



PERFORMANCE PER 4'

LED output	Color Temp	Watts	Nominal Delivered Lumens	Efficacy LPW
medium output	2700K	36	3500	97
medium output	3000K	37	3500	95
medium output	3500K	35.5	3500	98
medium output	4000K	34.5	3500	101

1000 LUMEN AT 80CRI - HIGH OUTPUT



PERFORMANCE PER 4'

LED output	Color Temp	Watts	Nominal Delivered Lumens	Efficacy LPW
high output	2700K	41.5	4000	96
high output	3000K	42.5	4000	94
high output	3500K	41	4000	97
high output	4000K	40	4000	100