

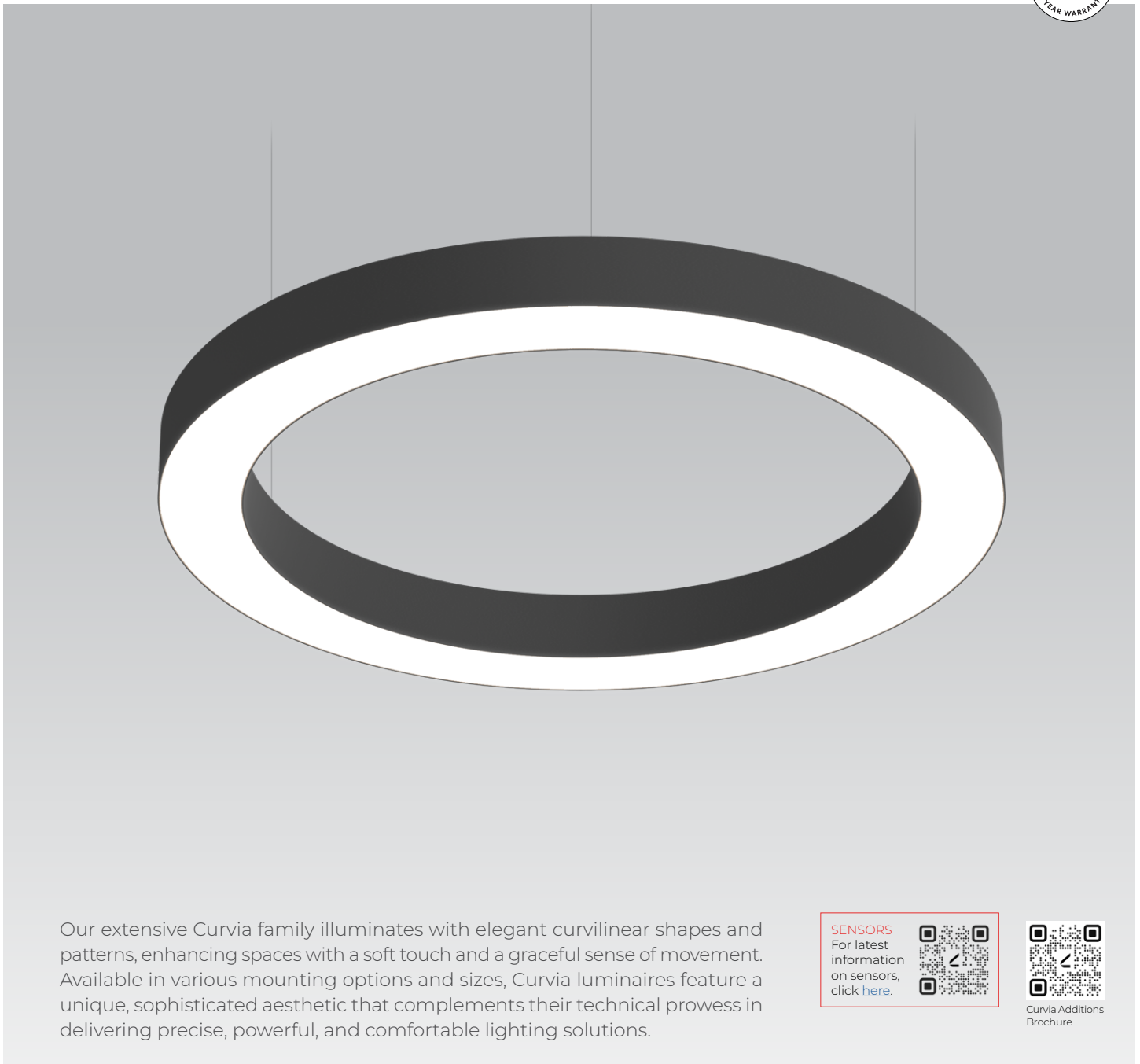
CURVIA 4

RING

PENDANT - RECESSED - SURFACE



Declare.



Our extensive Curvia family illuminates with elegant curvilinear shapes and patterns, enhancing spaces with a soft touch and a graceful sense of movement. Available in various mounting options and sizes, Curvia luminaires feature a unique, sophisticated aesthetic that complements their technical prowess in delivering precise, powerful, and comfortable lighting solutions.

SENSORS
For latest information on sensors, click [here](#).



Curvia Additions Brochure

Curvia Family (Refer to other spec sheets)

Curvia Mini	Curvia Slim	Curvia Slim Seal	Curvia Prism	Curvia	Curvia XYZ	Curvia Horizon	Curvia Perimeter	Curvia Seal Perimeter	Curvia Seal	Curvia Acoustix
1"	1", 2"	1", 2"	2"	2", 3", 4"	2", 3"	2", 3"	2", 3", 4", 5"	2", 3", 4"	2", 3", 4"	2"
Ring	Ring Shapes Pattern	Ring Shapes Pattern	Ring Shapes Pattern	Ring Shapes Pattern	Pattern	Ring Shapes	Pattern	Pattern	Ring Shapes Pattern	Ring Shapes Pattern

3737 Cote Vertu St-Laurent, Quebec, Canada H4R 2C9
T (514) 225-4304 F (514) 931-4862
www.lumenwerx.com



Lumenwerx reserves the right to modify product specifications without notification.
© Lumenwerx, ULC. All rights reserved.
CURVIA4-RING-SPEC-REV4 September 18, 2025

CURVIA 4

RING

PENDANT - RECESSED - SURFACE



Project: _____

Type: _____

Order Guide

LUMINAIRE ID	DISTRIBUTION	SIZE ^{2,3}	DIRECT OPTIC	INDIRECT OPTIC Specify NA for Direct fixture
CURV4RIP - Curvia 4" Ring Pendant CURV4RIR - Curvia 4" Ring Recessed CURV4RIS - Curvia 4" Ring Surface	DI ¹ - Direct/Indirect D - Direct ¹ Available for pendant mounting only.	2FT - Ø 2' 3FT - Ø 3' 4FT - Ø 4' 5FT - Ø 5' 6FT - Ø 6' ² Dimensions are referenced to fixture centerline. See page 4 for actual dimensions. ³ Ø 8' and over will be shipped in separate pieces. ⁴ Minimum Ø 2'.	8FT - Ø 8' 10FT - Ø 10' 12FT - Ø 12' #FT ⁴ - Custom, specify diameter (#) ⁵ Direction of light must be indicated on RCP/lighting plans.	HLO - High-Efficiency Lambertian Optic AOO ⁵ - Asymmetric Opal Optic HLO - High-Efficiency Lambertian Optic NA - Not applicable

LIGHT SOURCE ⁶	CRI	DIRECT LUMEN PACKAGE ⁹	INDIRECT LUMEN PACKAGE ¹¹ Specify NA for Direct fixture	COLOR TEMPERATURE
SW - Static white FS - Full spectrum static white ⁶ Chromawerx SOLA, DUO, and QUADRO also available. Consult factory.	80CRI ⁷ - 80+ CRI 90CRI ⁷ - 90+ CRI 95CRI ⁸ - 95+ CRI ⁷ Not available with full spectrum. ⁸ Not available with static white.	350LMF - Eco low output 350 lm/ft 500LMF - Low output 500 lm/ft 750LMF - Medium output 750 lm/ft 1000LMF ¹⁰ - High output 1000 lm/ft 1200LMF ¹⁰ - Ultra high output 1200 lm/ft ⁹ To calculate the total lumens, multiply the lumen package (lm/ft) by the circumference of the ring (diameter x π). ¹⁰ Not available with full spectrum.	350LMF - Eco low output 350 lm/ft 500LMF - Low output 500 lm/ft 750LMF - Medium output 750 lm/ft 1000LMF ¹² - High output 1000 lm/ft NA - Not applicable ¹¹ To calculate the total lumens, multiply the lumen package (lm/ft) by the circumference of the ring (diameter x π). ¹² Not available with full spectrum.	27K - 2700K 30K - 3000K 35K - 3500K 40K - 4000K 50K - 5000K

VOLTAGE	DRIVER ¹⁴	ELECTRICAL
120V - 120V 277V - 277V UNV - 120V-277V 347V ¹³ - 347V ¹³ Available with D1 driver only. Minimum Ø 3' fixture for integral drivers.	D1 - 1% 0-10V ELV ^{15,16} - ELV 120V TRI ^{15,16} - TRIAC 120V DA ^{16,17} - DALI LDEI ^{16,17} - Lutron Hi-Lume 1% Eco ELD1 ¹⁶ - eldoLED 1% ECOdrive 0-10V ELDO ¹⁶ - eldoLED 0.1% SOLOdrive 0-10V ¹⁴ Integral or remote subject to factory evaluation. Code will be updated with prefix "R" if factory determines driver to be remote. ¹⁵ Available with 120V only. ¹⁶ Minimum Ø 3' fixture for integral drivers. ¹⁷ On-site commissioning is required.	1C - 1 circuit 2C ¹⁸ - 2 circuits EC - Emergency-powered fixture NL - Night light fixture DL - Daylight fixture GTD ^{19,20} - Generator transfer device fixture ¹⁸ Available for Direct/Indirect only. Separate direct and indirect circuits. ¹⁹ Integral or remote subject to factory evaluation. GTD/EMB must be housed with the driver. ²⁰ Not available with 347V. ²¹ Minimum Ø 6' fixture for integral battery. The battery powers the direct LEDs. ²² Not available with EC or GTD. To specify, add +EMB() to the selected electrical option and specify the lighting configuration desired, e.g. 1C+EMB(FL). ²³ Available with Ø 2' to Ø 6'. ²⁴ Available with Ø 5' to Ø 12'. ²⁵ Available with Ø 8' to Ø 12'.

MOUNTING ²⁶	FINISH	OPTIONS ³¹
PENDANT ²⁷ <u>Single canopy</u> ^{28,29} SRACS - Single round canopy, aircraft cable, standard SRACC() - Single round canopy, aircraft cable, custom <u>Multiple canopies</u> ³⁰ ACS - Aircraft cable, standard STS - Stem, standard ACC() - Aircraft cable, custom STC() - Stem, custom ²⁶ The mounting options selected must reflect the luminaire ID. ²⁷ Standard canopies are black for black fixtures, and white for all other finishes. See page 3 for full details on standard and custom options. ²⁸ Available up to Ø 4' only. ²⁹ The minimum required mounting heights (distance from ceiling to top of fixture in inches) are: Ø 2' - min 15" Ø 3' - min. 22" Ø 4' - min. 29". ³⁰ 4 Canopies or more provided.	RECESSED DTR - Trim DMF - Drywall mud flange SURFACE DRC - Drywall ceiling W - Matte white AL - Aluminum B - Matte black CF# - Custom finish, specify RAL#	FU120 - Fuse 120V FU277 - Fuse 277V CTB9 ³² - T-bar caddy clip, 9/16" CTB15 ³² - T-bar caddy clip, 15/16" CTG9 ³² - Tegular caddy clip, 9/16" CTG15 ³² - Tegular caddy clip, 15/16" CST ³² - Screw slot caddy clip FWC ³³ - Flexible whip cable (6' std) CP ³³ - Chicago Plenum NA - None ³¹ Separate codes with a "+" if more than one is specified. ³² Available with pendant mounting aircraft cable option only. ³³ Available with recessed mounting only.



CURVIA 4

RING

PENDANT - RECESSED - SURFACE



Pendant Mounting Code

Aircraft Cable - single canopy

Standard

SRACS - Single round canopy, aircraft cable, standard

- Ø 5" round single canopy with 4 cables
- Canopy is black for black fixtures, and white for all other fixture finishes
- Power cord is black for black fixtures, and white for all other fixture finishes
- Aircraft cable length is 48"

Custom

Example: SRACC(5PC-72IN-W-PCB)

SRACC () - Single round canopy, aircraft cable, custom

CANOPY SIZE	AIRCRAFT CABLE LENGTH	CANOPY FINISH	POWER CORD COLOR
5PC - Ø 5" power canopy	48IN - 48" 72IN - 72" 120IN - 120" #IN ¹ - Other lengths, specify in inches	W - Matte white AL - Aluminum B - Matte black CF# - Custom finish, specify RAL#	PCW - White PCB - Black

¹Maximum length is 288". For longer lengths, please consult factory.

Aircraft Cable - multiple canopies

Standard

ACS - Aircraft cable, standard

- Ø 5" for power canopy
- Ø 3" for non-power canopy
- Canopies are black for black fixtures, and white for all other fixture finishes
- Power cord is black for black fixtures, and white for all other fixture finishes
- Aircraft cable length is 36"

Custom

Example: ACC(3NPC-72IN-W-PCB-NA)

ACC () - Aircraft cable, custom

NON-POWER CANOPY SIZE	AIRCRAFT CABLE LENGTH	CANOPY FINISH	POWER CORD COLOR	OPTION
3NPC - Ø 3" non-power canopy 5NPC - Ø 5" non-power canopy	36IN - 36" 72IN - 72" 120IN - 120" #IN ¹ - Other lengths, specify in inches	W - Matte white AL - Aluminum B - Matte black CF# - Custom finish, specify RAL#	PCW - White PCB - Black	SEM ² - Seismic mounting S LC ² - Sloped ceiling for aircraft cable NA - None

¹Maximum length is 288". For longer lengths, please consult factory.

²Not available with the Ø 3" non-power canopy size.

Stem

Standard

STS - Stem, standard

- Ø 5" for power canopy
- Ø 5" for non-power canopy
- Canopies are black for black fixtures, and white for all other fixture finishes
- Stem finish is the same color as fixture
- Stem length is 18"
- Stem is not field adjustable

Custom

Example: STC(5NPC-36IN-W-STW-SLS)

STC () - Stem, custom

NON-POWER CANOPY SIZE	STEM LENGTH	CANOPY FINISH	STEM COLOR	OPTION
5NPC - Ø 5" non-power canopy	18IN - 18" 36IN - 36" #IN ¹ - Specify length in inches	W - Matte white AL - Aluminum B - Matte black CF# - Custom finish, specify RAL#	STW - Matte white STAL - Aluminum STB - Matte black STCF# - Custom finish, specify RAL#	SLS - Sloped ceiling for stem NA - None

¹Minimum length is 6". Maximum length is 72". Stem is not field adjustable.

CURVIA 4

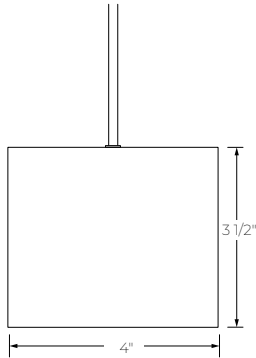
RING

PENDANT - RECESSED - SURFACE

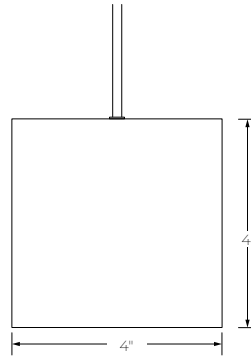


Dimensions

PENDANT



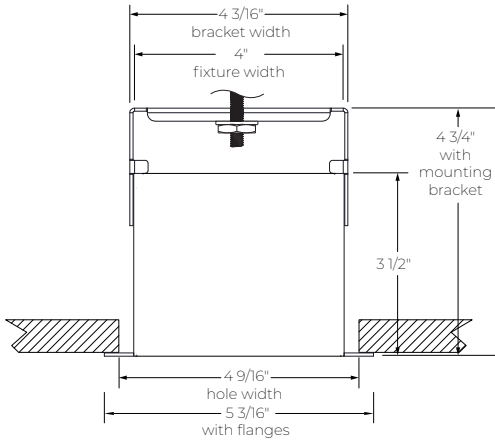
DIRECT



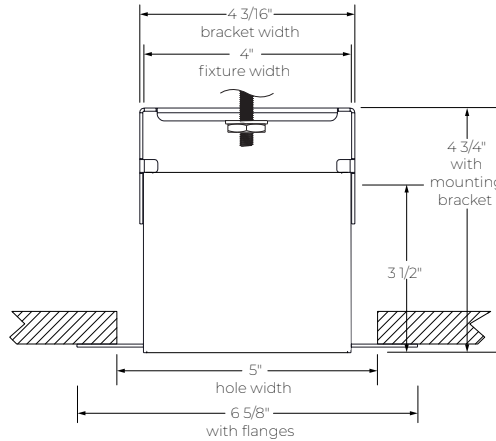
DIRECT/INDIRECT

Nominal Diameter (FT)	Centerline Diameter (IN)
2	19
3	36
4	43
5	60
6	72
8	96
10	120
12	144
#FT	Centerline diameter

RECESSED

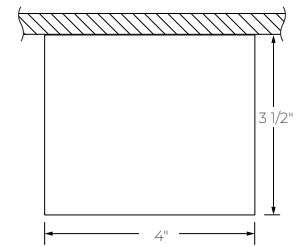


DTR - Trim



DMF - Drywall mud flange

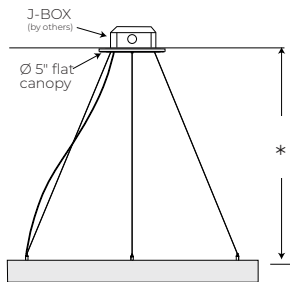
SURFACE



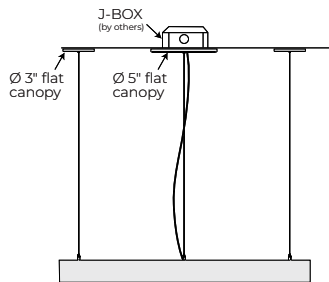
DRC - Drywall ceiling

Mounting Options

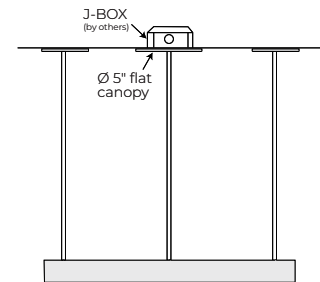
PENDANT



POWER CORD + AIRCRAFT CABLE
SC - SINGLE CANOPY



POWER CORD + AIRCRAFT CABLE
MC - MULTIPLE CANOPIES



STEM
MC - MULTIPLE CANOPIES

* For single canopy option, the minimum required mounting heights: Ø 2' : min 15" | Ø 3' : min 22" | Ø 4' : min 29".

3737 Cote Vertu St-Laurent, Quebec, Canada H4R 2C9
T (514) 225-4304 F (514) 931-4862
www.lumenwerx.com



Lumenwerx reserves the right to modify product specifications without notification.
© Lumenwerx, ULC. All rights reserved.
CURVIA4-RING-SPEC-REV4 September 18, 2025

CURVIA 4

RING

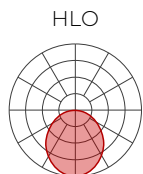
PENDANT - RECESSED - SURFACE



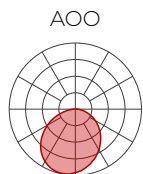
Photometrics

Values calculated based on 4' straight segments at 3500K for all optics.

DIRECT OPTICS

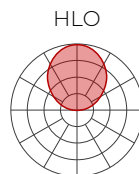


LM/FT	W/FT	LM/W
350	2.7	132
500	3.9	129
750	6	126
1000	8.2	122
1200	10	119



LM/FT	W/FT	LM/W
350	3.1	112
500	4.6	110
750	7.0	107
1000	9.6	104
1200	11.9	101

INDIRECT OPTIC



LM/FT	W/FT	LM/W
350	2.4	149
500	3.5	145
750	5.4	139
1000	7.4	134

MULTIPLIER TABLES

Use this table to get results for different color temperatures for all photometric tables.

CCT	WATTS		LPW
	80+ CRI / 90+ CRI	80+ CRI / 90+ CRI	80+ CRI / 90+ CRI
2700K	1.05		0.95
3000K	1.02		0.98
3500K	1.00		1.00
4000K	1.00		1.00
5000K	0.96		1.04

DIRECT/INDIRECT - LPW CALCULATION

For Direct/Indirect performance values, follow the formula.

$$\frac{\left(\begin{array}{c} \text{DIRECT} \\ \text{LM/FT} \end{array} + \begin{array}{c} \text{INDIRECT} \\ \text{LM/FT} \end{array} \right)}{\left(\begin{array}{c} \text{DIRECT} \\ \text{W/FT} \end{array} + \begin{array}{c} \text{INDIRECT} \\ \text{W/FT} \end{array} \right)} = \text{LPW}$$

CURVIA 4

RING

PENDANT - RECESSED - SURFACE



Technical Specifications

OPTICS

High-Efficiency Lambertian Optic (HLO)

Lumenwerx's High-Efficiency Lambertian Optic is engineered with reflective sidewalls that distribute LED output across acrylic shielding. To negotiate the curves of Lumenwerx rounded fixtures, the HLO is equipped with proprietary SupremeGrip™ technology, which keeps the optic securely in place.

Asymmetric Opal Optic (AOO)

The Asymmetric Opal Optic (AOO) provides targeted illumination while diffusing light evenly, minimizing glare and spill. Its design creates a soft, inviting ambiance, making it ideal for architectural and accent lighting in modern spaces.

LIGHT SOURCE

Static white

Custom array of mid-flux LEDs are cartridge-mounted with quick-connect wiring to facilitate service and thermal management. Available in 2700K, 3000K, 3500K, 4000K, and 5000K with a minimum 80+ CRI and an option for 90+ CRI with elevated R9 value. Color consistency maintained to within 3 SDCM. LEDs operate at reduced drive current to optimize efficacy and lumen maintenance. All LEDs have been tested in accordance with IESNA LM-80-08 and the results have shown L80 lumen maintenance greater than 60,000 hours. Absolute product photometry is measured and presented in accordance with IESNA LM-79, unless otherwise indicated.

Full spectrum static white

The full spectrum LED option offers improved color particularly in the cyan region that is beneficial in both healthcare and circadian lighting strategies. The cyan region in full spectrum LED is richer at the 480 nm range.

ELECTRICAL

Factory-set, adjustable output current LED driver with universal (120-277 VAC) input. Dimmable from 100% to 1% with 0-10V dimming control. Rated life (90% survivorship) of 50,000 hours at 50°C max. ambient (and 70°C max. case) temperature. At maximum driver load: Efficiency > 84%, PF > 0.9, THD < 20%. Other specifiable options include Lutron Hi-Lume 1% Eco, eldoLED 1% ECOdrive 0-10V, eldoLED 0.1% SOLOdrive 0-10V, ELV, TRIAC, and DALI protocol drivers. All of our standard 0-10V drivers are NEMA 410 compliant. ELV and TRIAC dimming performance (including minimum dimming percentage) subject to dimmer selection.

PoE

Depending on the PoE manufacturer selected, Lumenwerx will install the node in factory as either integral to the luminaire or as a remote module. Factory programming of the PoE node may or may not enable the following functionalities: lumen package, DUO (tunable white), QUADRO (RGBW), emergency battery backup, and sensor integration. These must be addressed and evaluated on a case-by-case basis.

Battery

Factory installed long life, high temperature, maintenance-free Lithium-Ion battery pack with self-test functionality, test switch and charge indicator. Minimum of 90 minutes operation, up to 1000 lumens per 4' (25°C) emergency lighting output and recharge time of 24 hours.

MOUNTING

Pendant: Pendant fixtures can be mounted either with aircraft cable or with stem.

Recessed: Recessed fixtures can be mounted in drywall ceilings with trim or mud flange options.

Surface: Surface fixtures can be mounted directly to drywall and hard surface ceilings, hardware supplied by others. A minimum of 6" from the vertical wall is required.

FINISH

Interior: 95%, reflective matte powder coated white paint.

Exterior: Matte white, matte black or aluminum powder coating. Custom finishes are also available.

CONSTRUCTION

Housing: Extruded aluminum and aluminum sheet, up to 90% recycled content

Reflectors: Aluminum

Lens: Acrylic

Hanger: Chromed griplock securely attached in end caps and/or joiners with stainless steel hardware

Aircraft cable suspension: Ø 1/16" stainless steel aircraft cable

Stem: Ø 1/2" threaded steel tube

WEIGHT

Pendant Direct: 2.5 lb/ft - 1.13 kg/ft

Pendant Direct/Indirect: 3.2 lb/ft - 1.45 kg/ft

Recessed: 3.2 lb/ft - 1.45 kg/ft

Surface: 2.5 lb/ft - 1.13 kg/ft

CURVIA 4

RING

PENDANT - RECESSED - SURFACE



CERTIFICATIONS

ETL: Rated for indoor dry/damp locations. Conforms to UL Standard 1598 and certified to CAN/CSA Standard C22.2 No. 250.0.

IC rated: Suitable for direct contact with insulation. For Recessed mounting only.

Declare: [LBC Red List Approved](#)

WARRANTY

Lumenwerx provides a five-year limited warranty on electrical and mechanical performance of the luminaires, including the LED boards, drivers, and auxiliary electronics. Lumenwerx will repair or replace defective luminaires or components at our discretion, provided they have been installed and operated in accordance with our specifications. Other limitations apply, please refer to the full warranty on our website.